

STANDARD FEATURES



- 16 GA Steel Powder-Coated Construction
- Circuit Breakers Rated for 10 kAIC at 125 Vdc
- 1 Main Circuit Breaker and Up to 15 DC Distribution Circuit Breakers
- NRTL listed to CSA /UL standards
- Custom Configurations Available



THE DC DISTRIBUTION PANEL FROM HINDLEPOWER THE SMART WAY TO CONSOLIDATE YOUR DC LOADS

- Circuit breakers rated for 10 kAIC at 125 Vdc. High interrupting capacity breakers are available for special requirements.
- The enclosure is a NEMA-1 / IP20 type enclosure, constructed with 16 GA steel, with ANSI-61 gray epoxy powdercoat paint.
- Standard configuration is one (1) main circuit breaker (100A or 200A trip rating), and up to fifteen (15) distribution circuit breakers (2A to 63A max). Other configurations available.



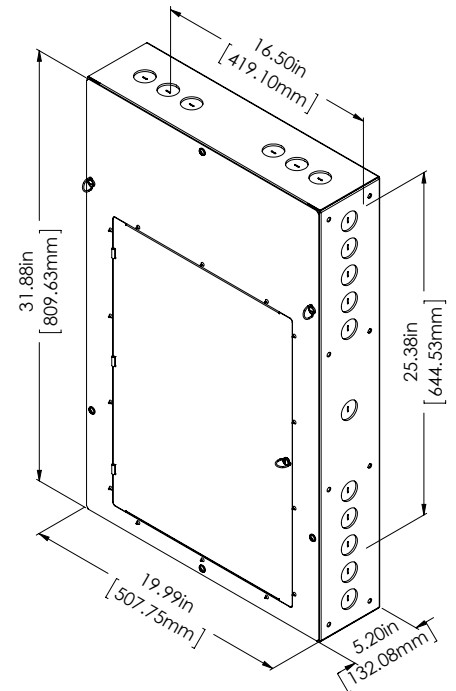
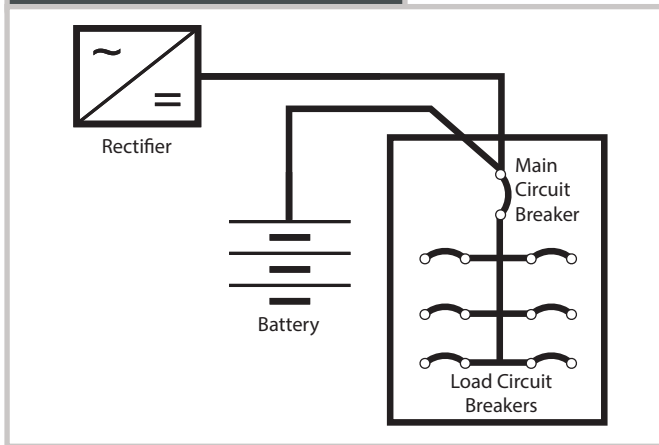
ETL NRTL/C - CSA C22.2/UL 508A compliant

JF5055-00 Rev3 05-17

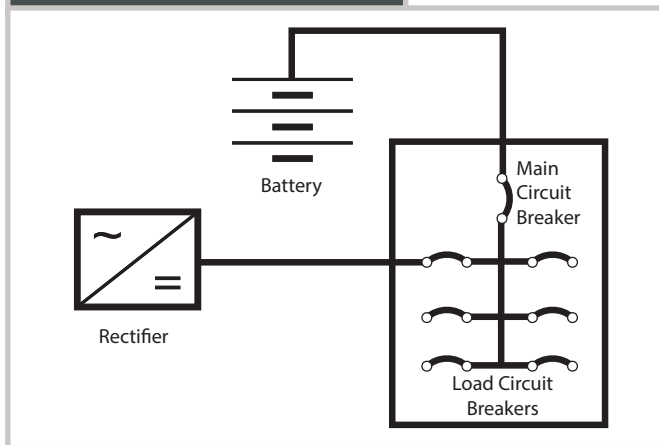
All specifications subject to change.

SPECIFICATIONS

CONFIGURATION A



CONFIGURATION B



Model Numbers:

EJ5140-10 (100A Main)
EJ5140-20 (200A Main)

* When ordering the DC Distribution Panel, please select configuration (A or B), the size of your main circuit breaker, and number / trip rating of branch circuit breakers.