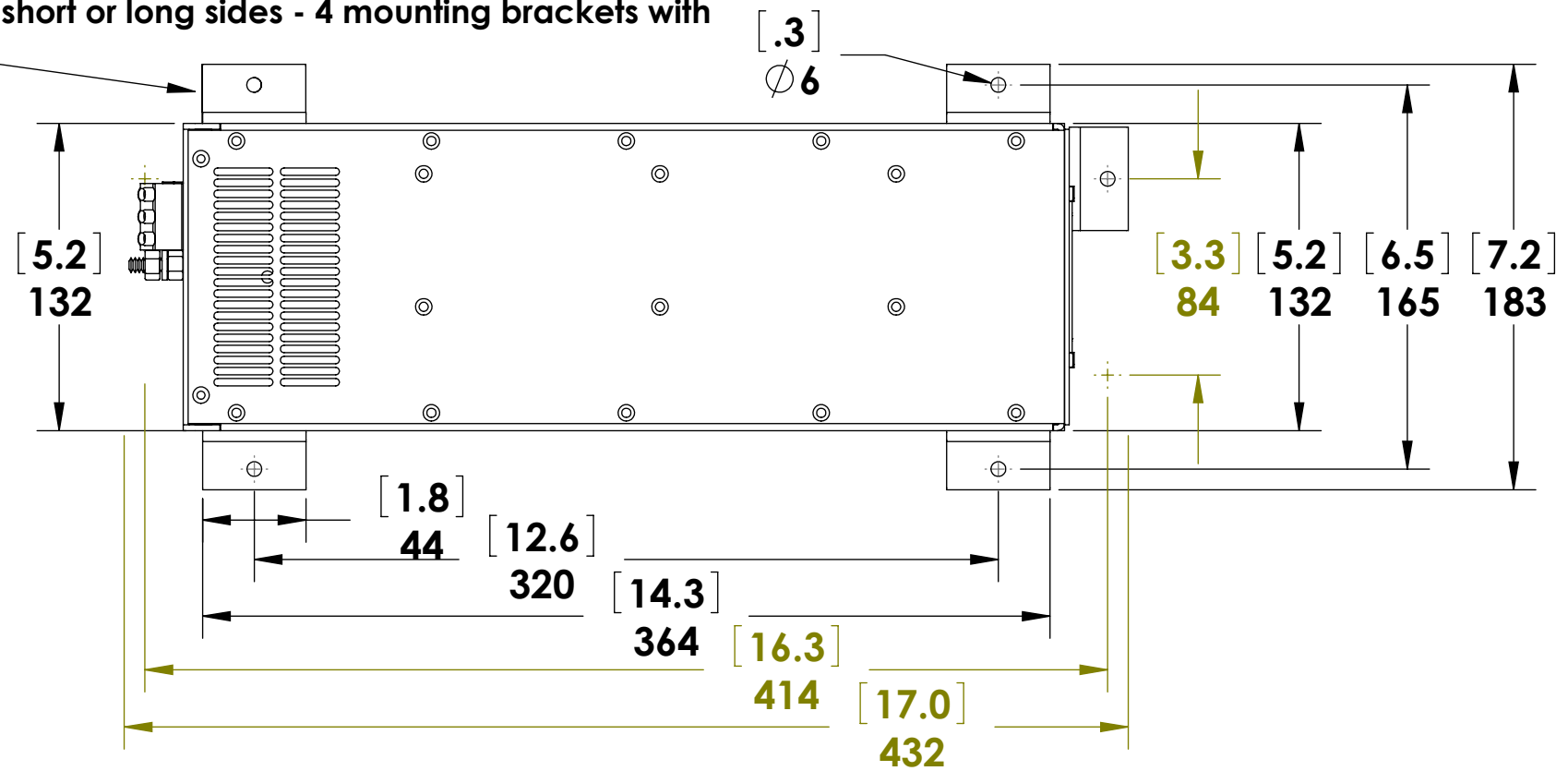
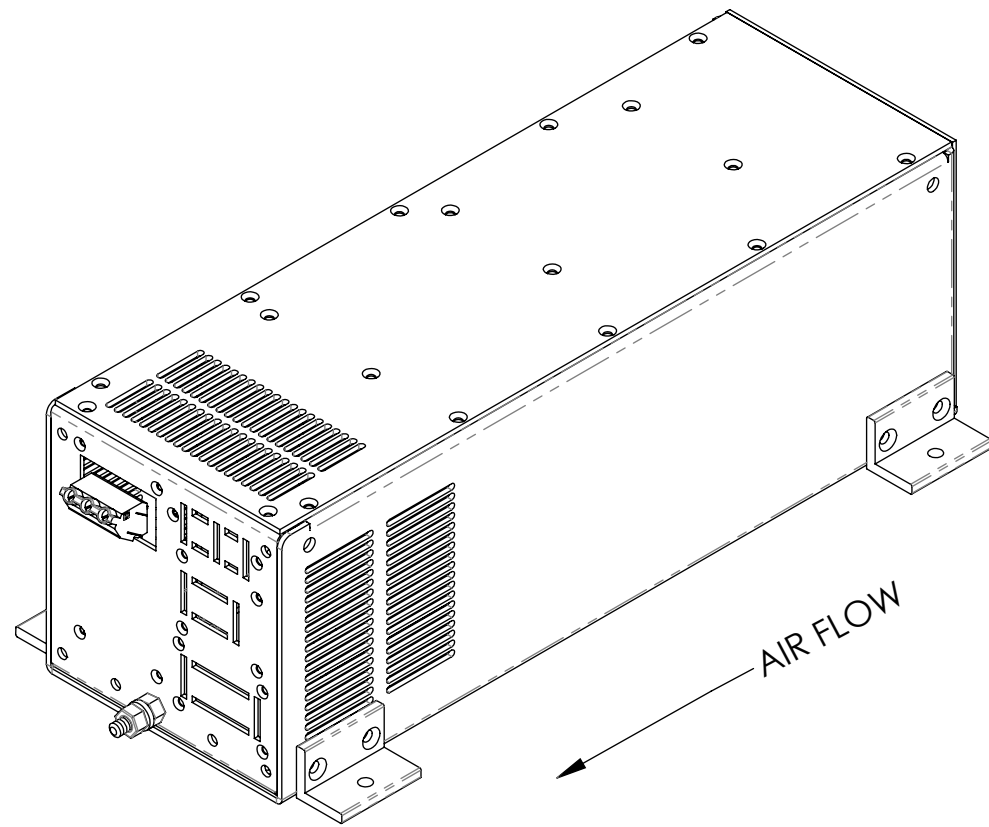
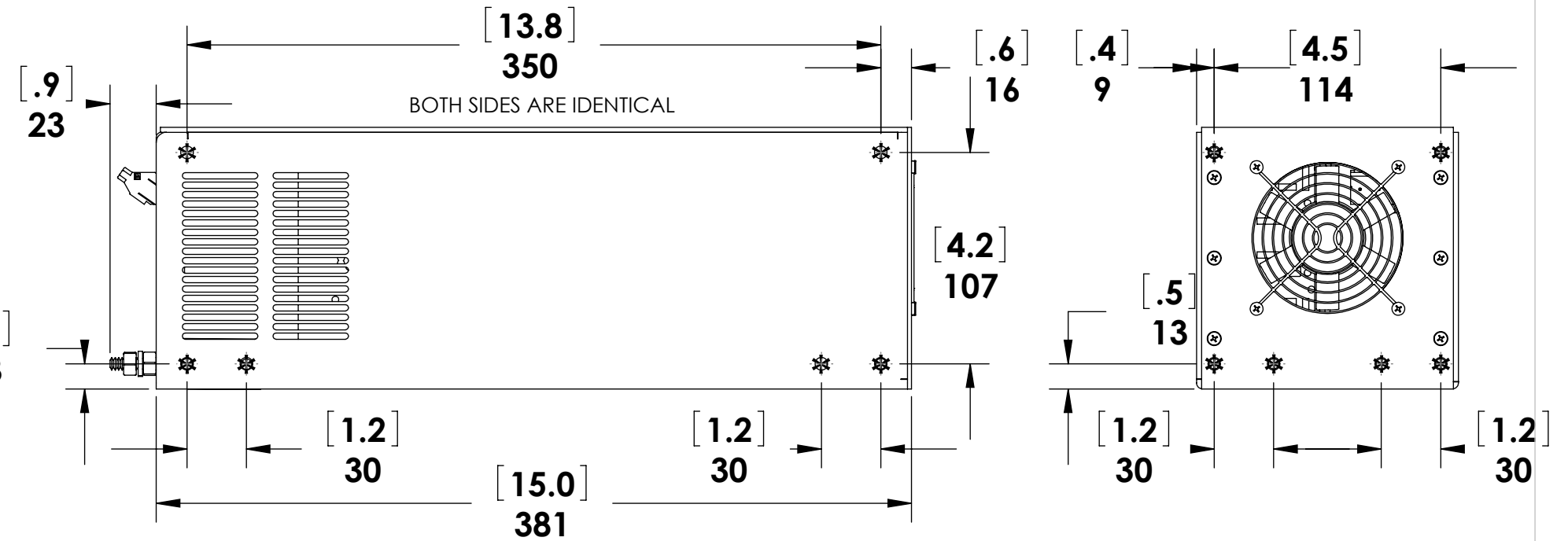
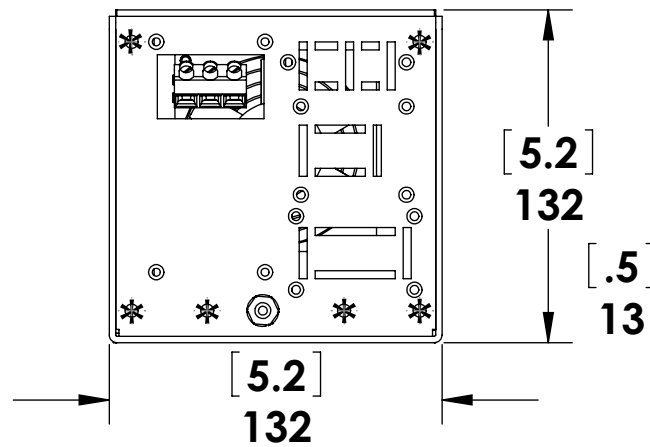


Mounting brackets can be installed along short or long sides - 4 mounting brackets with fasteners are provided with the unit



Type of Input / Output terminations are depends on application



M5 Threaded inserts for mounting brackets or for alternative mounting options
Maximum screw penetration is 10mm from outside surface of chassis

REV	DESCRIPTION:	DATE
A	NEW ISSUE	04/11/2014

EDGES & HOLES DEBURRED
SURFACES FREE OF SCRATCHES

DIMENSIONS ARE IN INCHES
TOLERANCES ON
DECIMALS: XXX ± 0.008"
XX ± 0.012"
ANGLES: ± 2°
FRACTIONS: ± 1/64"
UNLESS OTHERWISE STATED

Title: OUTLINE DRAWING			
Part of: 3U2 CHASSIS MOUNT PACKAGE			
Drawn by: J.X.	Checked by:	Approved by:	Revision:

Date: NOV.04, 2014	
Drawing No: ODR XXXXXX	

