

PRODUCT OVERVIEW



400Hz SINGLE PHASE FREQUENCY CONVERTERS

UNIVERSAL INPUT

500VA TO 3000VA

FEATURES & APPLICATIONS

The FC 400hz Single Phase Series are highly compact AC/AC frequency converters. Suitable for a wide range of applications, they feature full electronic protection, high efficiency and low output noise.

They are highly reliable, field proven and rugged frequency converters that will operate without de-rating up to 50°C.

Extended operating temperature (-40° C to +65° C), ruggedization and conformal coating are available.

Features

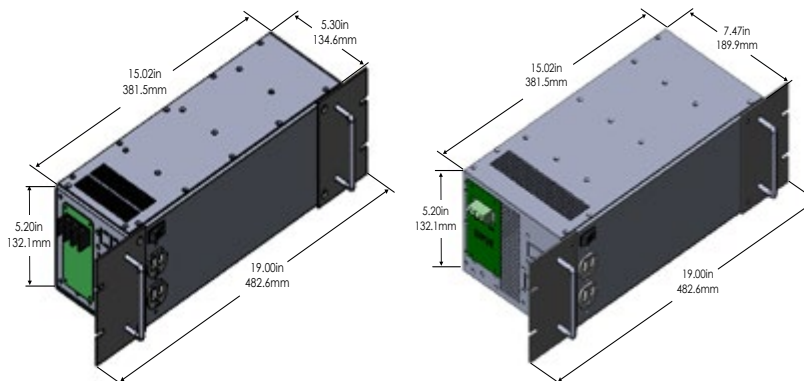
- 500VA to 3000VA
- Single Phase
- Compact size, light weight
- Pure sine wave
- Full electronic protection
- Ultra quiet
- Highly reliable
- 2 year warranty

Applications

- Aerospace
- Aviation Ground Support
- Military Applications (COTS)
- Industrial Controls
- OEM Applications

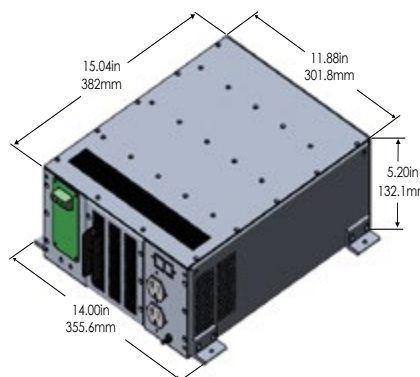
MODEL SELECTION

- **500VA & 1000VA Power**
- **Universal Input**
- **400Hz Output**



Model number	FC500-400	FC1000-400
Input Voltage	90-264Vac, universal PFC, 47-410Hz	
Input Current	7A max	14A max
Input Connection	Terminal block	
Output Voltage	115VAC/400Hz	
Output Current	4.4 A	8.7 A
Output Connection	NEMA 5-15R duplex receptacle	
Package Dimensions (WxHxL)	5.2" x 5.2" x 16" (132 x 132 x 407mm)	7.4" x 5.2" x 17" (187 x 132 x 432mm)
Weight	14 lbs (6.3 kg)	15 lbs (6.8 kg)

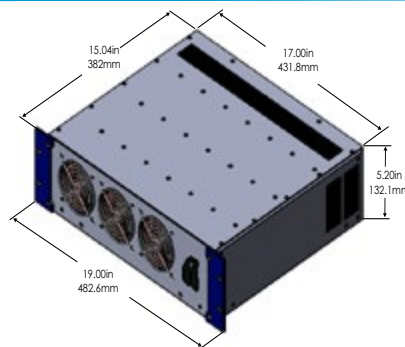
- **2000VA & 2500VA Power**
- **Universal Input**
- **400Hz Output**



Model number	FC2000-400	FC2500-400
Input Voltage	90-264Vac, universal PFC, 47-410Hz	
Input Current	27A max	35A max
Input Connection	Terminal block	
Output Voltage	115VAC/400Hz	
Output Current	17.3 A	21.7 A
Output Connection	NEMA 5-20R duplex receptacle	Terminal block
Package Dimensions (WxHxL)	12" x 5.2" x 16" (305 x 132 x 407mm)	
Weight	25 lbs (11.5 kg)	

MODEL SELECTION

- **2500VA & 3000VA Power**
- **Rackmount**
- **400Hz Output**



Model number	FC2500-400-RM	FC3000-400-RM
Input Voltage	90-264Vac, universal PFC, 47-410Hz	
Input Current	35A max	37A max
Input Connection	Terminal block	
Output Voltage	115VAC/400Hz	
Output Current	21.7A	26A
Output Connection	Terminal block	
Package Dimensions (WxHxD)	17" x 5.2" x 16" (432 x 132 x 410mm) 19" rack mount brackets	
Weight	27 lbs (12.3 kg)	30 lbs (13.6 kg)

TECHNICAL SPECIFICATIONS

Input Protection	Inrush current limiting. Varistor. Internal safety fuse
Isolation	2250Vdc input to chassis/output Output neutral is connected to the chassis
Output Wave Form	Pure sine wave
Total Harmonic Distortion	Less than 5% at full load
Line/Load Regulation	±6% from no load to full load
Load Crest Factor	Maximum 2.5 at 90% load
Output Noise	High frequency ripple is less than 500mVrms (20MHz BW)
Output Overload Protection	Current limiting with short circuit protection. Thermal shutdown with automatic recovery
Output Overvoltage Protection	By internal supply voltage limiting at 140Vac
Efficiency	85% at full load

Safety Features	
Standards	Designed to meet C22.2 No. 107.1 - 01, UL 458 and EN60950-1, CE marking
EMI	EN 55022 Class A with margins
RoHS	Fully compliant
Warranty	Two years subject to application within good engineering practice

Environmental	
Operating Temperature Range	0° C to +50° C
Cooling	By built-in high quality fans
Environmental Protection	Basic ruggedizing. Conformal coating
Shock/Vibration	IEC 61373 Cat 1 A&B
Humidity	5 - 95% non-condensing