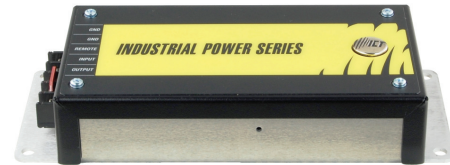


INDUSTRIAL SERIES

Non-Isolated DC-DC Power Converters



ICT Industrial Power Series converters are non-isolated DC to DC converters designed for use on negative ground systems. Each converter is designed for high efficiency and long service life. The rugged case and modular design have proven durable in harsh environments. ICT offers an unmatched selection of voltages and currents to meet your requirements. Standard features on all models include fuse protection, high surge capacity, easy access mounting holes, and a terminal strip connector.

Performance and Flexibility

Models are available ranging from 10 amps to 40 amps to match your needs, including voltage ranges for those hard to find applications. All ICT converters are field proven to work reliably for years under all types of conditions.

Built In Protection

All models feature built in protection features, including current limiting, high surge capacity, and internal fuses to protect against polarity reversal. ICT Industrial Series converters come with all the protection you need.

Reliability

Reliability is achieved through careful design that virtually eliminates internal wiring and connections that can fail. ICT Industrial Series converters have proven tough over years of service. ICT converters are especially adept at handling adverse vibration and moisture prone environments. All models are designed to operate from minus 30 degrees C to plus 50 degrees C. Convection cooling means there are no moving parts to fail. Extra silicone is used for vibration and moisture resistance.

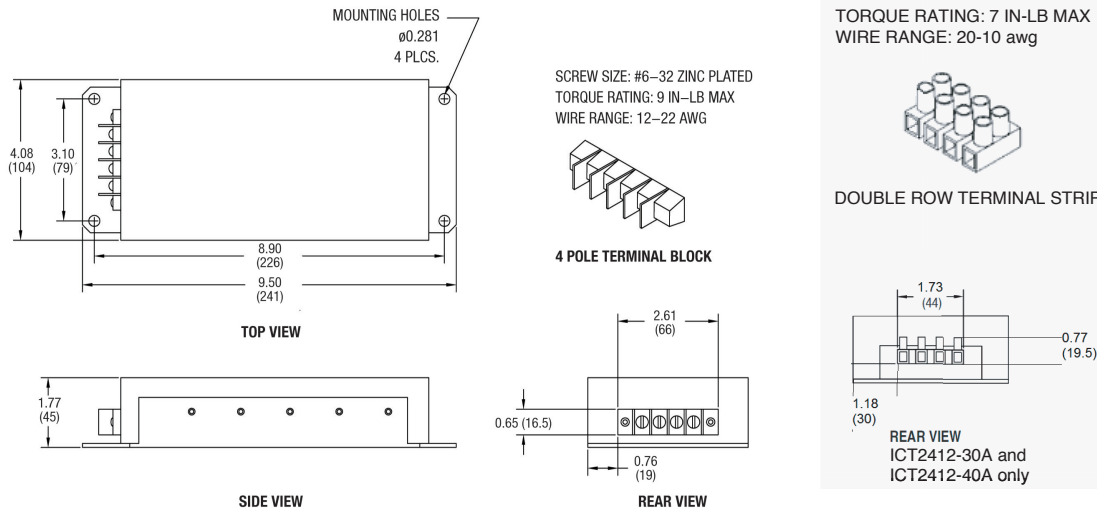
SPECIFICATIONS

Model Number	Input Voltage Range	Output Voltage	Output Current (Cont.)	Output Current (Peak)	Current Limiting	Line Regulation	Load Regulation	Output Ripple (Max)	Efficiency (Typical)	Input Fuse	Over Voltage Protection	Dimensions (refer to drawing)
ICT2412-10A	20-30 VDC	13.8 VDC +/- 150 mV	9.0 Amps	10.0 Amps	10.5 Amps +/- 5%	0.5%	0.4%	40mV RMS	80%	10 Amp	16.0V	B
ICT2412-15A	20-30 VDC	13.8 VDC +/- 300 mV	13.5 Amps	15.0 Amps	16.0 Amps +/- 5%	0.45%	0.3%	40mV RMS	88%	15 Amp	16.0V	B
ICT2412-20A	20-30 VDC	13.8 VDC +/- 300 mV	18.0 Amps	20.0 Amps	21.0 Amps +/- 5%	0.45%	0.3%	40mV RMS	88%	20 Amp	16.0V	B
ICT2412-30A	20-30 VDC	13.8 VDC +/- 300 mV	25.0 Amps	30.0 Amps	31.0 Amps +/- 5%	0.45%	0.3%	40mV RMS	95%	30 Amp	16.0V	A
ICT2412-40A	20-30 VDC	13.8 VDC +/- 300 mV	36.0 Amps	40.0 Amps	42.0 Amps +/- 5%	0.45%	0.3%	40mV RMS	95%	50 Amp	16.0V	A

TECHNICAL SPECIFICATIONS

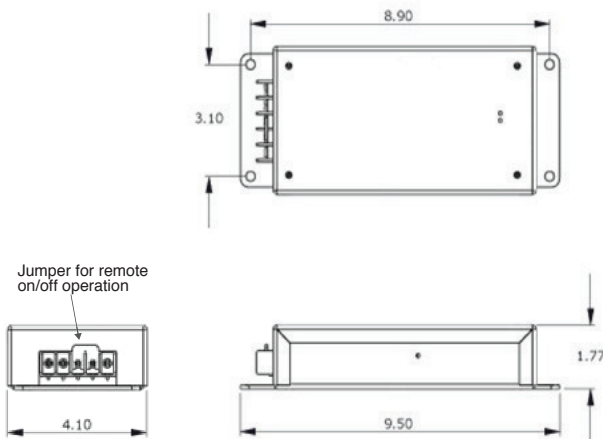
Dimensions - measurements in inches and (millimeters).

Drawing A



Model Numbers
ICT2412-30A
ICT2412-40A

Drawing B



Model Numbers	These models feature a remote on/off contact feature. A jumper is installed between the REMOTE and the Input + terminals from the factory to enable the outputs. To use the remote on/off feature, remove the jumper. Short/Open the REMOTE terminal to the Input + terminals to turn the unit on/off.
ICT2412-10A	
ICT2412-15A	
ICT2412-20A	