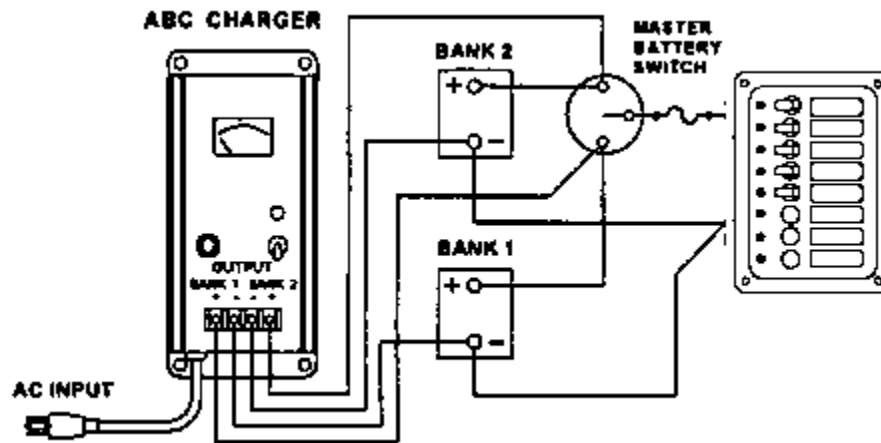


ABC Battery Chargers

ABC Series Battery Chargers utilize the same time-tested charge circuitry as our RM chargers, but are housed in a rugged black anodized aluminum case. Large heat sinks dissipate heat without the use of fans or louvers, keeping introduction of atmosphere into the unit to a minimum.

The SCR circuitry of the charger independently senses and regulates two separate output banks, allowing the charger to be left on indefinitely without overcharging batteries, even under no-load conditions.

ABC chargers are ideal for batteries in both mobile and fixed installations; emergency vehicles, electric carts, material handling equipment, generator sets, communication sites and base stations.



Product Features

- Total output ammeter
- Dual independently regulated output banks
- On-off switch and power "on" indicator light
- Vibration absorbing mounting grommets
- Anodized aluminum case
- 115/230 VAC input selector switch
- Auto-reset thermal breaker
- Conformal coating of circuit board for corrosion resistance

Model Selection Guide

Model	Input Ref.	Input Amps @ Full Load	Output Volts	Output Banks	Output Amps	Case Size	Weight
ABC 12-8	105 - 125 VAC, 50 - 60 Hz	1.5 / .75	12	2	8	8"H x 6"W x 4.2"D (20.3 x 15.2 x 10.6 cm)	9 lbs (4.1 kg)
ABC 12-15	105 - 125 VAC, 50 - 60 Hz	3 / 1.5	12	2	15	8.1"H x 4.7"W x 6.2"D (20.6 x 11.9 x 15.8 cm)	12 lbs (5.5 kg)
ABC 12-25	105 - 125 VAC, 50 - 60 Hz	5 / 2.5	12	2	25	10.2"H x 4.7"W x 6.2"D (25.9 x 11.9 x 15.8 cm)	14 lbs (6.4 kg)