

MajorVTC60 DC/DC Voltage Converter

MajorVTC60 Voltage Converters supply 12 VDC from a 24 VDC battery system up to 7 Amps.

Designed for use in heavy equipment, marine, industrial, or alternative energy environments, state-of-the-art switchmode design offers high reliability and efficiency in a very small package.

MajorVTC60 units are rugged, easy to use, and very economical.

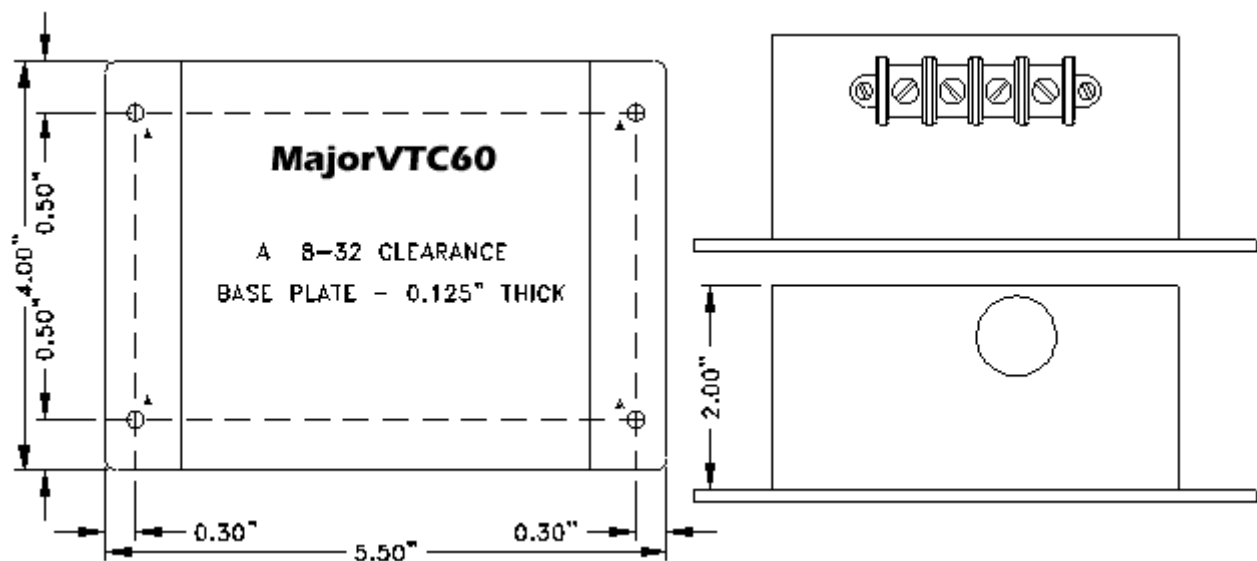
Optional remote ON/OFF feature is available to allow the supply to be turned on or off from a remote location, or in sync with other controls.



Product Features

- **Input Voltage Range**
 - ▶ Allows operation from 24 or 28 volt batteries
- **Protection**
 - ▶ Reverse input protection
 - ▶ Current limiting
 - ▶ Output over-voltage crowbar
- **Ultra-Quiet**
 - ▶ Low EMI operation
- **Wide Operating Temperature Range**
- **Remote ON-OFF Version Available**
- **Warranty**
 - ▶ 3-year parts and labour
- **Options**
 - ▶ Ruggedization against shock and vibration
 - ▶ Conformal coating
 - ▶ Can be built to Class 1, Division 2 Standards for Hazardous Duty
 - ▶ Extra wide Temperature Range -40°C to +70 °C

Mechanical Drawing



Product Specifications

Input	
Voltage	20-35 VDC
Amps (Maximum)	5.4
Noise	< 10 mV
Output	
Voltage	13.6 VDC
Amps	5 Continuous / 7 Peak
Crowbar	16.0 ±0.5 V
Ripple & Noise	< 10 mV
Transient Response	< 1 V for 2.5 Amps Surge
Line Load Regulation	< ± 0.5%
Duty Cycle	Peak 20% for 10 min/max; Continuous 100% for 24 hours/day
Efficiency	> 88% @ Maximum Output
Mechanical & Environmental	
Operating Temperature	-25 to +40°C @ Maximum Output
Range	Derate Linearly 2.5% per °C from 40°C
Humidity	0-95°C @ Relative Humidity (non-condensing) with optional conformal coating
Audible Noise	None Ødb @ 3 feet
Typical Service Life	>10 years (87,600 hours)
Isolation	Any Input or Output to Case 500 VDC Input to Output Common Negative
Dimensions (L x W x H)	5.5 x 4.0 x 2.1 in / 14.0 x 10.2 x 5.3 cm
Physical	1 inch (2.5 cm) clearance all around; Marine grade aluminum; Black powder epoxy coat, 18-8 Stainless steel fastenings
Weight	0.8 lbs / 0.4 kg
Connections	4 contact output terminals
Warranty	3 years
Safety	CSA/UL Pending