



AVAILABLE IN:
12V DC
600W
1000W
2000W

TRUE SINE AC POWER IN A COMPACT AND AFFORDABLE PACKAGE

These low profile true sine wave inverters pack big power in a small package, and add a great price. Great with a solar system.

Perfect for installation in your travel trailer, tent trailer or coach, these units are great for CPAP machines, electronics, entertainment systems and many other loads. Use the optional transfer switch or remote control switch to customize your installation!



Exceptional full rated performance in all climate temperatures



True sine wave output for sensitive and motor loads



Ignition control feature turns inverter on/off via 12Vdc signal



View, control and configure via Bluetooth app* on iOS and Android

APPLICATIONS:

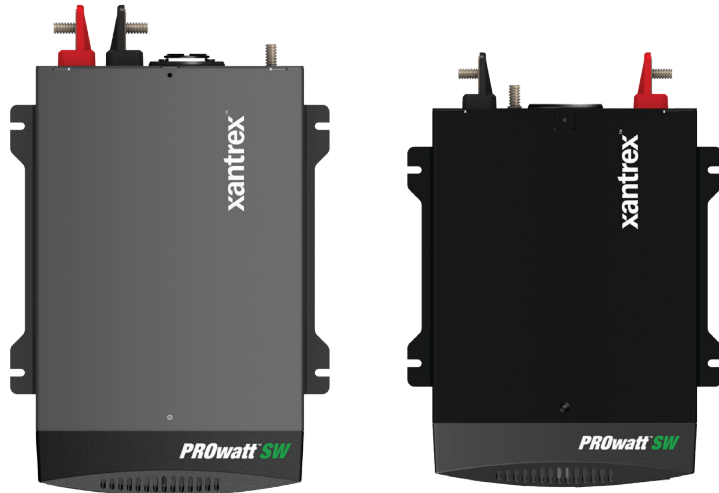


ETL listed to CSA Standard C22.2 No. 107.1 and UL 458* with Marine supplement

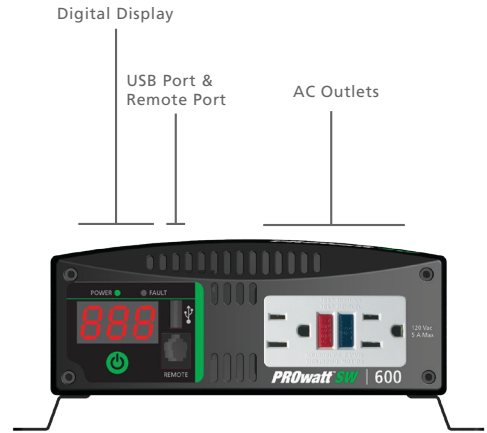
*For marine supplement compliance drip shield in specific mounting orientation is required. See installation guide.



PROwatt SW (806-1206, 806-1210, 806-1220) DATASHEET



TOP VIEW



SIDE VIEW

INVERTER FEATURES

- Digital display of output power and DC volts
- Built-in USB port to power USB-powered devices
- Optional on/off Remote Control Panel

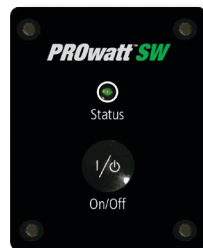
- Automatic AC transfer function and hardwire through the optional Transfer Switch
- Senses when outside AC Power is present and transfers the load from the inverter to the source of incoming power
- Heavy duty terminals for trouble-free battery connection

PROTECTION FEATURES

- Low voltage shutdown (10.0 VDC)
- Low voltage alarm (10.7 VDC) Over voltage protection (15.0 VDC)

- Overload shutdown
- Over temperature shutdown
- GFCI protection (PROwatt SW600, 1000, 2000)

PROwatt SW ACCESSORIES



PROwatt SW Remote On/Off Switch
(808-9001)



PROwatt SW 15 A Transfer Relay
(808-0915)

ELECTRICAL SPECS - INVERTER

	PROwatt SW 600	PROwatt SW 1000	PROwatt SW 2000
Continuous Power	540W	900W	1800W
Surge Capacity (peak)	1200W	2000W	3000W
DC Input	12 VDC (nominal)	12 VDC (nominal)	12 VDC (nominal)
AC Output Frequency	60 ± 0.5 Hz	60 ± 0.5 Hz	60 ± 0.5 Hz
AC Output Voltage Range	104 - 127 Vac	104 - 127 Vac	104 - 127 Vac
USB Output	5 V / 500 mA	5 V / 500 mA	5 V / 500 mA
Output Waveform	True Sine Wave	True Sine Wave	True Sine Wave
Optimum Efficiency	90%	90%	90%
No Load Current Draw	< 0.6 A	< 0.6 A	< 0.6 A
Input Voltage Range	10.5 - 15.5 VDC	10.5 - 15.5 VDC	10.5 - 15.5 VDC

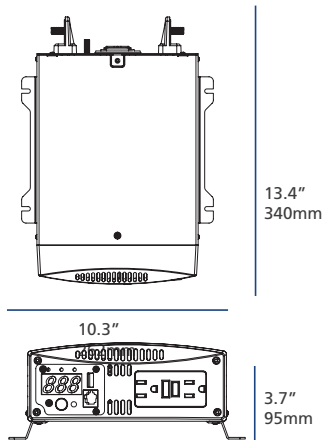
GENERAL SPECS

	PROwatt SW 600	PROwatt SW 1000	PROwatt SW 2000
Operating Temperature Range	32°F - 104°F (0°C - 40°C)	32°F - 104°F (0°C - 40°C)	32°F - 104°F (0°C - 40°C)
AC Receptacle	Dual GFCI	Dual GFCI	Dual GFCI
USB Receptacle	Single port (Type A)	Single port (Type A)	Single port (Type A)
DC Connection	Hardwire	Hardwire	Hardwire
Recommended DC Fuse	150 A	150 A	250 A
Digital Display	DC Voltage AC output power and error codes	DC Voltage AC output power and error codes	DC Voltage AC output power and error codes
Part Number	806-1206	806-1210	806-1220
L x W x H (without flanges)	3.5 x 8.7 x 12.2" (89 x 220 x 310 mm)	3.5 x 8.7 x 13.4" (89 x 220 x 339 mm)	3.9 x 11.8 x 13.7" (100 x 299 x 348 mm)
Net Weight	6.5 lb (3.0 kg)	7.2 lb (3.3 kg)	10.7 lb (4.9 kg)

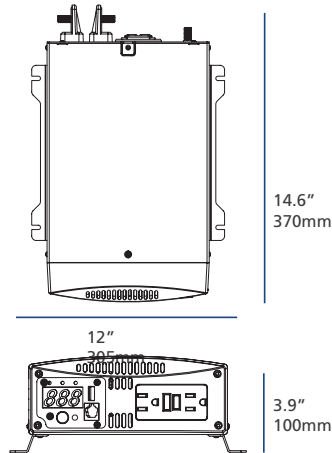
REGULATORY APPROVALS

	PROwatt SW 600, 1000, 2000
Safety	UL458 with marine supplement 01 (R2006) - General Use Power Supplies. CSA 107.1
EMC	FCC Part 15, Class A

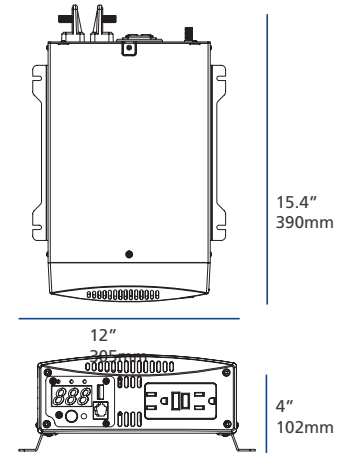
PROwatt SW 600 DIMENSIONS



PROwatt SW 1000 DIMENSIONS



PROwatt SW 2000 DIMENSIONS



ACCESSORIES

Mfg Part #	Description
808-9001	Remote panel with 25' remote cable
31-6262-00	50' remote cable
808-0915	Automatic Remote AC Transfer Switch